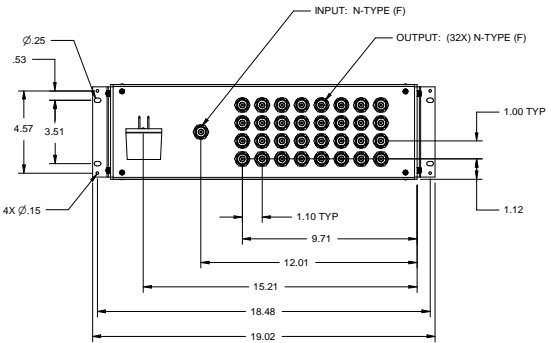
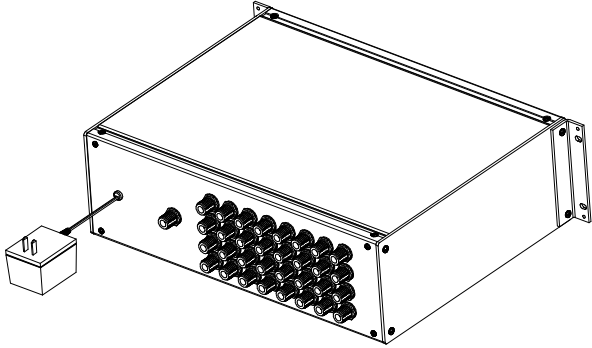
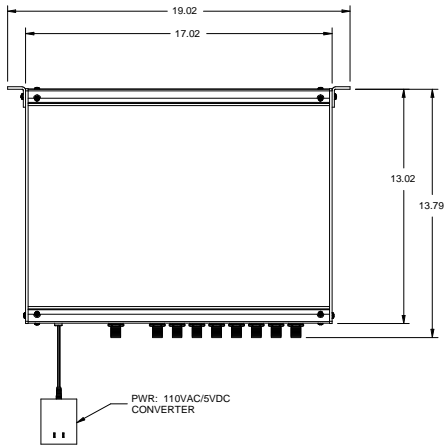


REVISIONS				
ZONE	REV	DESCRIPTION	DATE	APPROVED
	001A	INITIAL RELEASE	01-25-10	DSD
	001	PRODUCTION RELEASE	01-25-10	DSD
	002	PRINT CLARIFICATION	06-04-10	DSD



	TOLERANCES UNLESS OTHERWISE SPECIFIED LINEAR      ANGULAR .X ±.1            ± 1 .XX ±.01        ± 1 .XXX ±.005     RADIUS .XXXX ±.0005   SEE LINEAR		DRAWN <b>R G STONE</b>	DATE 06-04-10	<small>THE INFORMATION CONTAINED IN THIS DESIGN SET IS THE SOLE PROPERTY OF GPS SOURCE. USE OF THIS DESIGN IS RESTRICTED TO THE COMPANY, REPRODUCTION OR DISTRIBUTION OF ANY PORTION OF DESIGN IS FORBIDDEN WITHOUT THE EXPRESS WRITTEN CONSENT OF GPS SOURCE.</small>  <small>UNLESS OTHERWISE SPECIFIED DIMENSIONS ARE IN INCHES IAW ASME Y14.5M - 1994</small>	
	MATERIAL      SEE BOM		CHECKED <b>N SLOAN</b>	DATE 06-04-10		COMPANY NAME <b>GPS Source</b>
	FINISH      AS PROVIDED		QA <b>S GENEVA</b>	DATE 06-04-10		DESCRIPTION <b>FSA 1 IN 32 OUT PWR 110/5VDC N(F)</b>
	GPS SOURCE PART NUMBER <b>FSA-ABS-ABX-BBZ</b>	APPROVED <b>D DAWKINS</b>	DATE 06-04-10	SIZE <b>C</b>		GPS FILE NAME <b>031-FSA-ACS-ABX-BBZ</b>
SCALE      1:4		MASS      16.85 LBS		SHEET      1 OF 1		